

F50

Product Specifications
PS-F50-01/01-220616

The F50 is a 50 Lumen output Light attachment for the JouleStick based on ultra efficient Light Emitting Diode Technology that can operate within a DC Voltage range of 3 up to 4.2 V. The F50 connects to the JouleStick through a unique and patented bayonet connection. The F50 has a highly diffused lens to give a non-glare and equally distributed light output that is safe for the eyes. The On-Off switching of the Light is done through rotation of the Light attachment



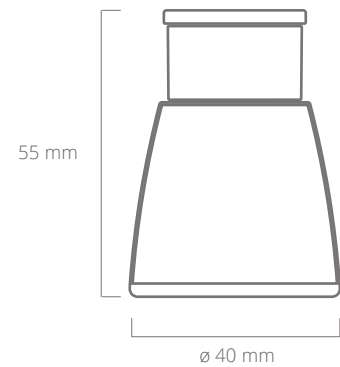
F50 Performance (in combination with JouleStick30)

Maximum Light Output 50 Lumen
LED Electricity to Light Conversion Efficiency 25%

Light Output and energy consumption in combination with JouleStick30:

Time	Light Output	Energy Use	
First 5 hours	50 Lumen	1.5 kJ/h	(0.42 W)
Next 10 hours	40 Lumen	1.2 kJ/h	(0.33 W)
Next 10 hours	30 Lumen	0.8 kJ/h	(0.22 W)
Last 5 hours	20 Lumen	0.5 kJ/h	(0.14 W)

Color Temperature 5000K (Cool White)
LM-80 Lumen Maintenance 60,000 hours
Operating Temperature 0-60 °C



Electrical Details

Safe Input Voltage Range 3 - 4.2 VDC
Max Operating Current 138 mA (@4,17V)

Mechanical and Environmental Details

Connector System Gold Plated Pogo Pin
Enclosure Material UV Stabilized ABS
Lens Material PC
Color White
Product Dimensions ø 40mm x 55mm Height
Nett Product Weight 20 gr
Packaging Options Individual Packing or as part of JouleStick kits
Individual Box Dimension 42 x 42 x 70 mm
Gross Product Weight 25 gr

Protection

Enclosure protection class IP 54
CE Compliance YES

