

**SPECIFICATIONS:**

**MODEL NUMBER:** 8000-543-238

**PUMP DESIGN:** Positive Displacement 3 Chamber Diaphragm Pump

**CHECK VALVE:** (1-Way Operation) Prevents Reverse Flow

**CAM:** 3.0 Degree

**MOTOR:** Permanent Magnet, P/N 11-111-00

**VOLTAGE:** 12 VDC Nominal

**PRESSURE SWITCH:** Adjustable Shut-Off (Range 80-100 PSI)

Factory Set @100 PSI, Turn On 85 PSI ±5 PSI

**LIQUID TEMPERATURE:** 170 Degrees Fahrenheit (77 Degrees Centigrade) Max.

**PRIME:** Self-Priming Up To 10 Ft. Vertical,  
Max. Inlet Pressure 30 PSI (2.1 Bar)

**PORTS:** 3/8"-18 NPT Female

**MATERIAL OF CONSTRUCTION:**

**PLASTICS-** Polypropylene

**VALVES-** Viton

**DIAPHRAGM-** Santoprene

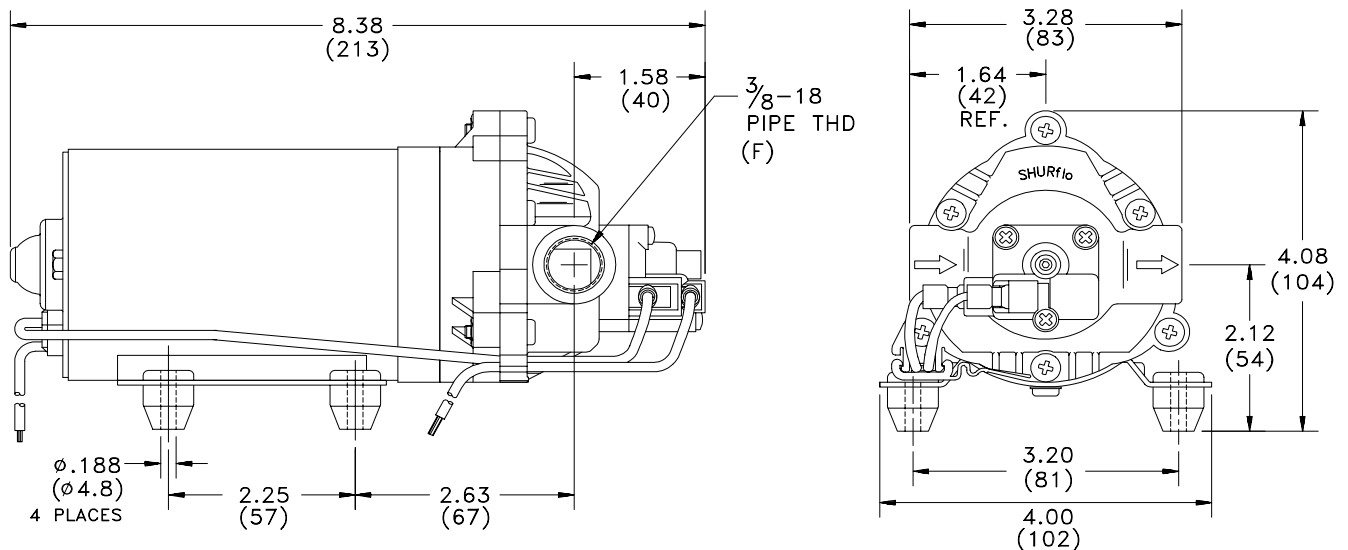
**FASTENERS-** Zinc Plated Steel

**NET WEIGHT:** 4.7 Lbs (2.13 Kg)

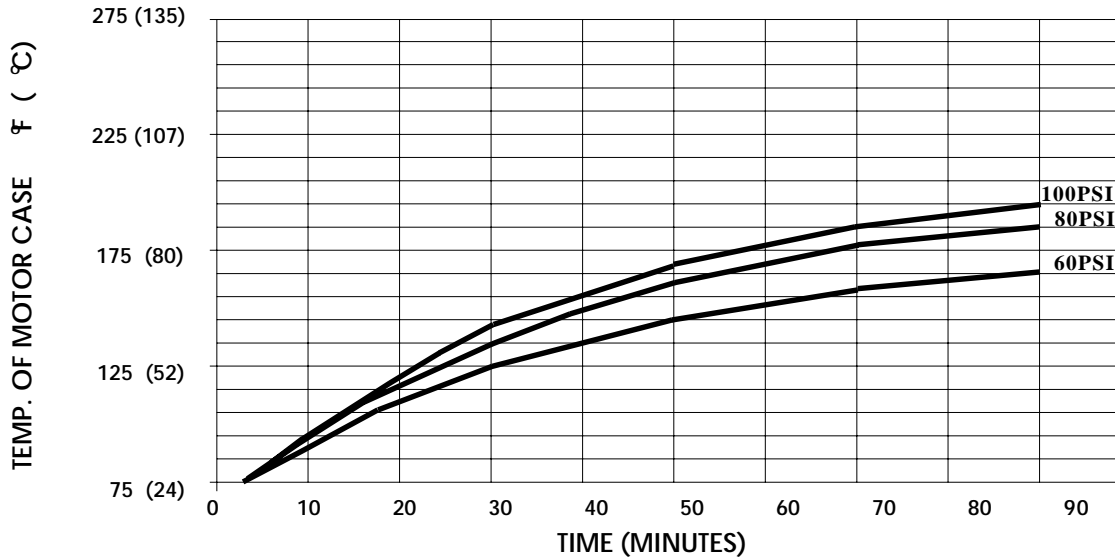
**DUTY CYCLE:** Intermittent (See Temperature Rise Chart)

**TYPICAL APPLICATIONS:** Agricultural Spraying

**DIMENSIONS:**

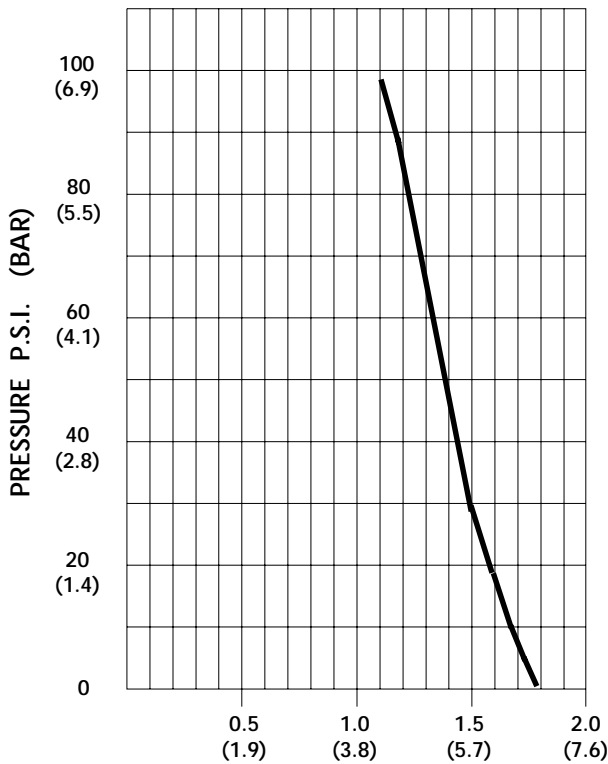


**TEMPERATURE RISE**



THIS GRAPH IS FOR USE AS A DESIGN GUIDE. IT IS BASED ON RUNNING CONTINUOUSLY WITH AN AMBIENT TEMPERATURE OF 70° F IN STILL AIR.

**TYPICAL PERFORMANCE**



PRESSURE (PSI)	FLOW (GPM/LIT)	RPM MIN/MAX	CURRENT (AMPS)	VOLTAGE (VOLTS)
OPEN	1.8/6.8	2206/2660	3.0	12VDC
10	1.52/5.8	2170/2635	3.6	"
20	1.45/5.5	2130/2590	4.2	"
30	1.36/5.1	2090/2540	4.9	"
40	1.31/5.0	2060/2495	5.5	"
50	1.26/4.8	2030/2440	6.0	"
60	1.22/4.6	2005/2380	6.5	"
70	1.16/4.4	1980/2350	7.1	"
80	1.11/4.2	1940/2330	7.6	"
90	1.03/3.9	1915/2260	8.3	"
100	0.96/3.6	1900/2225	8.7	"

FLOW - GALLONS PER MINUTE (LITERS PER MINUTE)

*-SPECIFICATIONS SUBJECT TO CHANGE WITHOUT NOTICE.*

*-ALL DATA BASED ON TESTING WITH WATER.*